

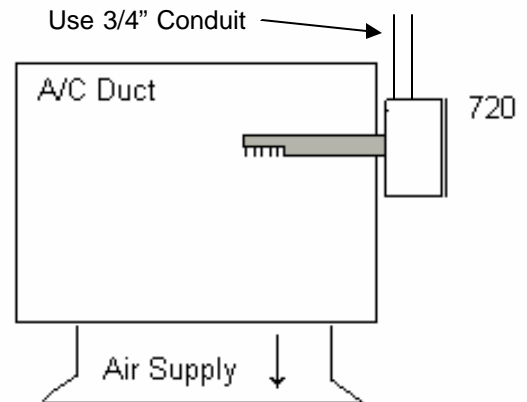
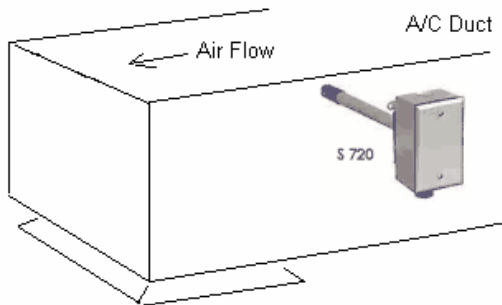
DUCT AIR IONIZER S 720

CAUTION

Disconnect all power when installing or servicing this unit

CAUTION: High voltage output, keep out from the reach of children

Do not install this unit in areas where gases or flammable fumes are present



DUCT AIR IONIZER INSTALLATION

- 1 Locate the ionizer close to supply register
- 2 Open a 1" diameter hole with a small slit 1/2" x 1/8" for the pins
- 3 Remove the pin protection before inserting the unit in the duct hole
- 4 Hold the unit in place with the conduit fittings, apply sealant to avoid air leaks
- 5 Connect the Red and Black wire to power 12 to 27 VAC/DC, Red is Positive(+)



General Specifications

- **Ion density:** 2.1 trillion ions/cc at 2.9 cm from emitter
- **Ion output:** 20 trillion ions/second
- **Number of electrodes:** 5 @ 250mm - 1" long
- **Particle effectiveness:** as small as .01 micron
- **Power use:** less than 2 watts, DC 30 mA , AC 70 mA
- **Power requirements:** 12 to 27 VAC/DC
- **Operating temperature:** 32° to 158°F (0° to 70°C)
- **Enclosure:** Cast aluminum, weatherproof